

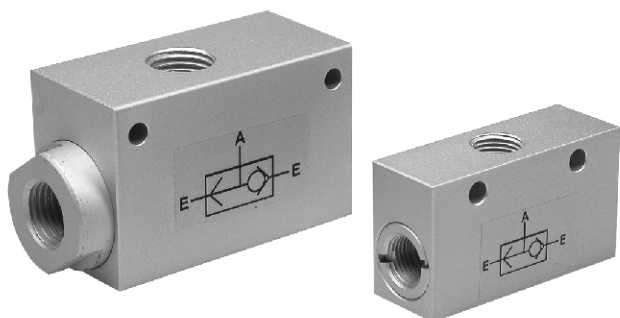
MVAS series

SHUTTLE VALVE



Features:

- This valve has two input inlets(E1,E2) and can be controlled in different position.
- First activated position can get through to output signal(A).



Specification:

Model	MVAS	
Bore No.	6A	8A
Port size	PT1/8	PT1/4
Medium	Air	
Operating pressure range	1~9.9 kgf/cm ² (0.1~0.99MPa)	
Proof pressure	15 kgf/cm ² (1.5MPa)	
Effective orifice	11.5 mm ²	30.5 mm ²
Ambient temperature	- 15~+ 60°C (No freezing)	
Weight	43g	119g

Order example:

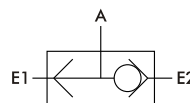
MVAS — 6A — BSP

MODEL

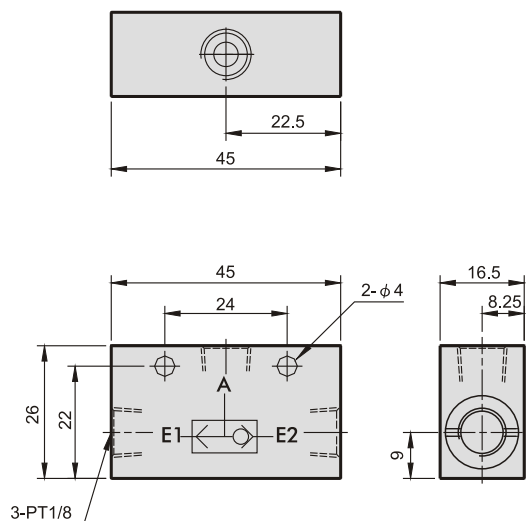
BORE SIZE
6A PT1/8
8A PT1/4

PORT THREAD
 Blank: PT thread
BSP: BSP thread
NPT: NPT thread

Symbol:



MVAS-6A



MVAS-8A

